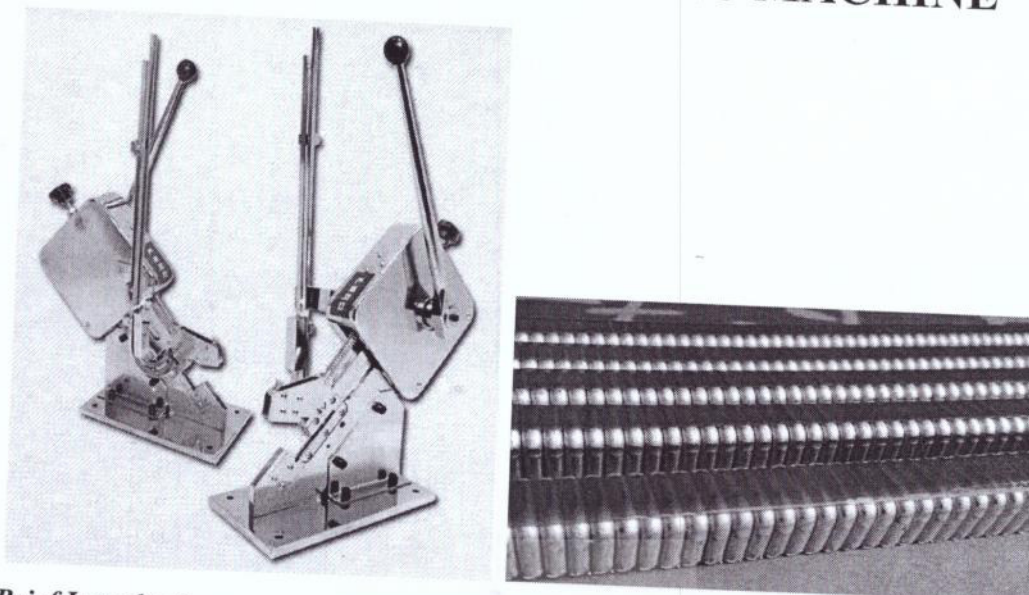


# MANUAL CLIPADORA MARCA BBG REF: CLIP-50

## *OPERATION MANUAL* **UPG-50 MANUAL CLIPPING MACHINE**



### **1. Brief Introduction:**

This manual clipper machine is mainly used for sealing the two ends of ham sausages or other products such as plastic bag. Its main function is clipping the specific clips at the end of the product which would have enough tightness and ensure the storage performance of the sealed product. It is an ideal and necessary machine for the food processing plants.

This machine is designed and developed based on the clipping techniques of the users and also combine the advantages from other similar machines. It has the features of stable working performance, reasonable structure, easy maintenance, etc.,

### **2. Basic Technical and Packing Parameters:**

Model/Name	UPG-50 Manual Clipping Machine
Gross Weight/Net Weight	16kg / 15kg
Maximum Loading of Clips	150 pcs
Working Capacity	Maximum to 100 pcs/min(depending on operator speed)
Overall Dimensions	770*420*1600 mm
Packing Overall Dimensions	660*430*250 mm
Outside Cover Material	Stainless steel 304
Inside Packing	Cover with plastic bag and put inside the foam block
Outside Packing	Carton box with overwrapping film
Suitable Clips Model	No.506& No.503 Tensile Strength: 100-140 Mpa Pureness of Magnalium:99.7%

# MANUAL CLIPADORA MARCA BBG REF: CLIP-50

### 3. Instruction of Structure and operation:

The machine is table-top structure and operated manually. Please check the following picture 1 of main structure. When pulling the hand shank (1), the swinging arm (3) turn, the pressing plate (8) turning 45° through the assistant connection rod which make the casing tighten up and wait for clipping. Meanwhile, the punch head (6) push 1pc U-type clip downward clamping the casing and touch the under die (7), then the hand shank (1) keep pressing, the two legs of the clip crossing together, the sealing procedure finish after compression.

The nut bolt (4) is used for limit the punch head (6) end position which ensure the uniform tightness of clipping, and also could protect the punch head and the under die damaged by over pressing when the clips run out.

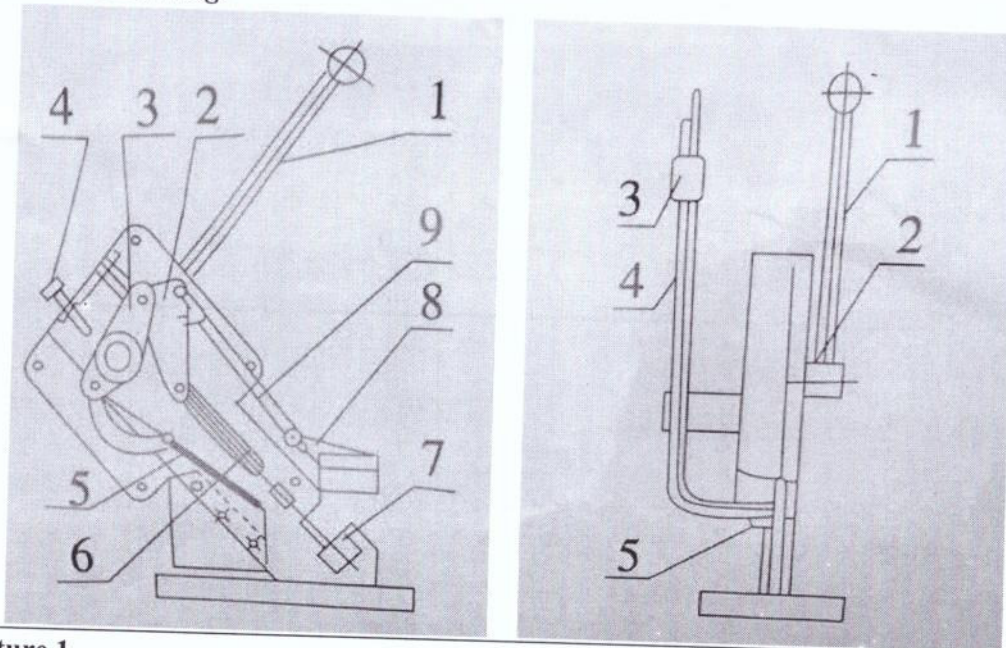
After clipping, the machine will reset by the offsetting spring, but please don't let the hand shake back freely to avoid the machine parts being damaged.

**Very important: this machine is strictly forbidden to operating under the situation of no clips inside the clip track.**

This model of manual clipper machine is suitable for 50 Series U-type clips and suitable for the casings which diameter is 50-120mm. The tightness of the clipped ham sausages is mainly related with the casing diameter and thickness. Please choose suitable U-type clip and clipper machine according to the requirement and process conditions to ensure the good quality of the products.

Soluciones de pesaje y equipos para alimentos

### 4. Structure Drawing:



**Picture 1**

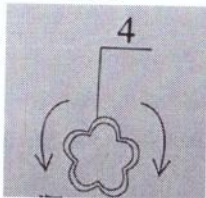
1. Hand Shank	2. Connection Lod	3. Swinging Arm
4. Stop Screw(Nut Bolt)	5. Offsetting Spring	6. Punch Head
7. Under Die	8. Pressing Plate	9. Assistant Connection Rod

# MANUAL CLIPADORA MARCA BBG REF: CLIP-50

## Picture 2

1. Hand Shank	2. Lubricating Oil Filling Point	3. Heavy Hammer
4. U-type Clips Track	5. Connection Plate	

## Picture 3



Please adjust the **nut bolt** according to the diameter of casings. Clockwise twisting to loose, anticlockwise twisting to tight.



Soluciones de pesaje y  
equipos para alimentos